



## JOLIE

### COLOUR CHANGE LED DOWNLIGHT



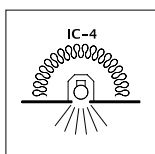
#### PRODUCT SPECIFICATION

CODE	TYPICAL POWER (W)	TOTAL POWER (W)	NOM. LUMENS OUTPUT (lm)	COLOUR TEMPERATURE	EFFICACY (LM/W)	COLOUR
VE3C	8	9	860	3000	107	White with Blue cap (After 1st release)
			870	4000	108	
			900	5700	112	

#### COMMON SPECIFICATION

Power Factor	≥0.9	Materials/Construction	Plastic Housing
Input Voltage	230V a.c.	LED Chip	Epistar 2835SMD
Beam Angle	100°	Driver Make	Upshine
Glare Rating	30	Operating Temperature	-20°C~45°C
Colour Rendering	80	Dimming	8%-100% Range
IP Rating	IP54 (driver IP40)	Projected Life (hrs)	50,000
IK Rating	10	Class	II

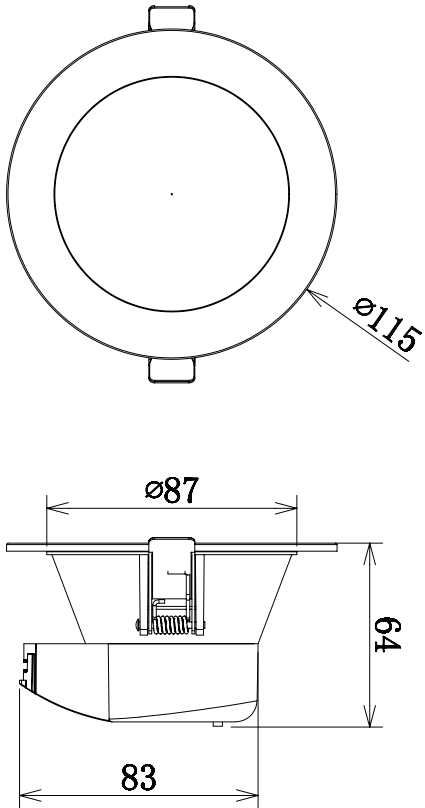
#### CERTIFICATES & APPROVALS



AS/NZS 60598.1:2013  
AS/NZS 60598.2.2:2016

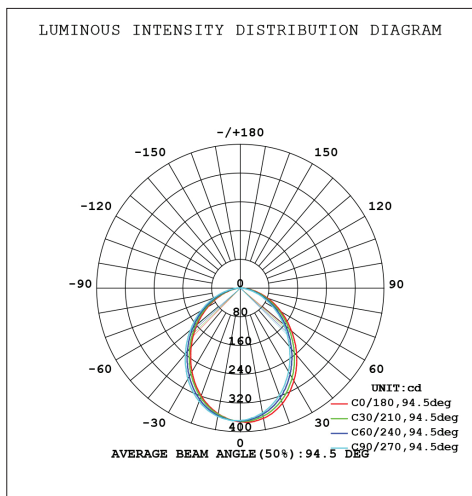
# VYNCO LIGHTING

## DIMENSIONS

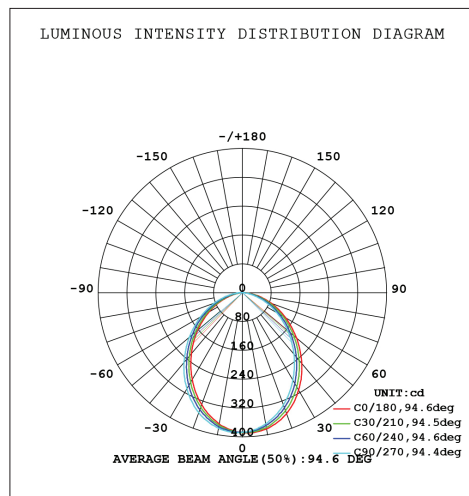


CODE	FASCIA (mm)	HEIGHT (mm)	CUT OUT (mm)
VE3C	115	64	90-100

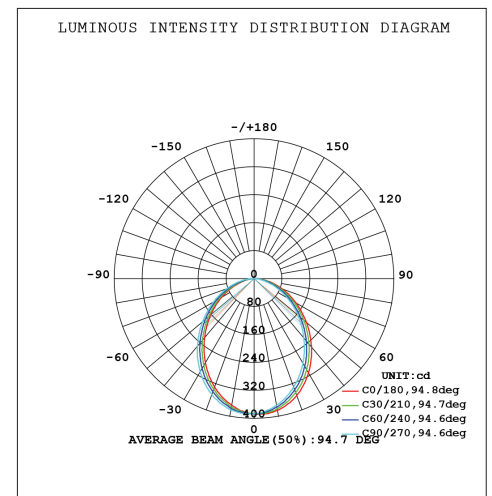
## PHOTOMETRICS



3000k



4000k



5700k