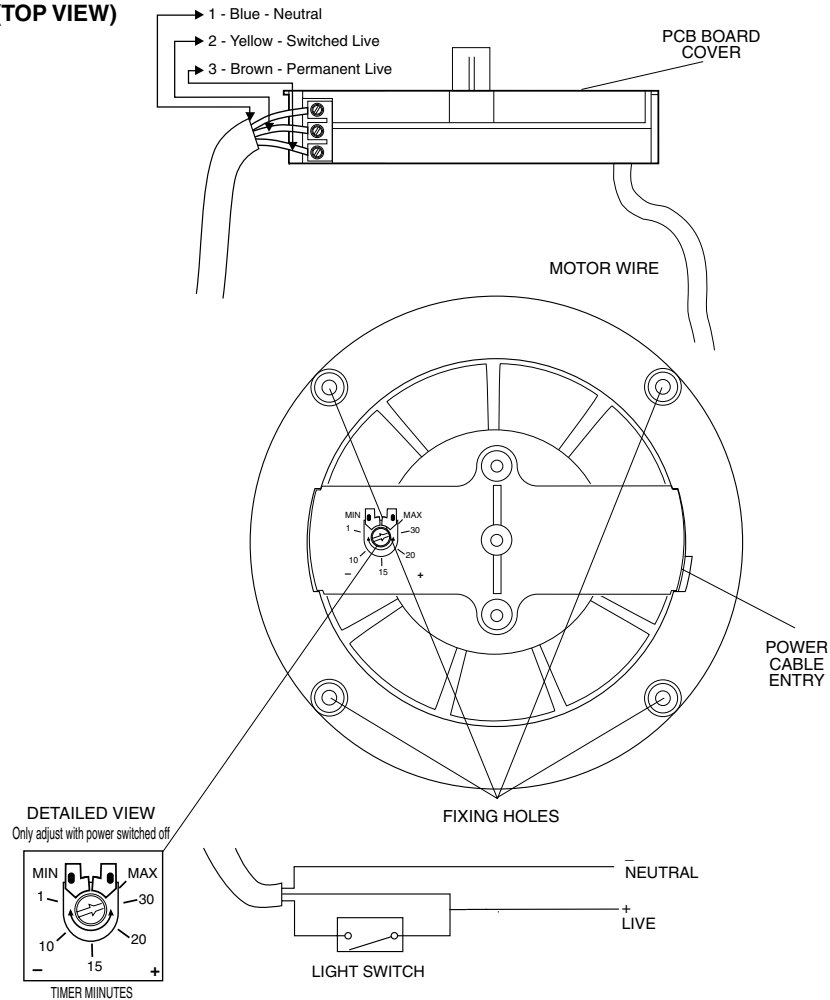


**DIAGRAM X2
TIMER MODEL**

(TOP VIEW)



INSTALLATION INSTRUCTIONS FOR THE LOW PROFILE EXTRACTOR FAN SERIES. (LP125, LP150)

(The 'new' ball bearing designed motors provide an extended lifetime of operation)

- NOTE:
- (i) For best results this Extractor Fan should be fitted as high on the wall as possible, or if preferred, on the ceiling.
 - (ii) Do not install the unit within a shower cubicle. Use our shower fans.
 - (iii) Isolate the mains supply before making electrical connections. This system should be installed by a qualified electrician.
 - (iv) This fan is double insulated and does not require an earth.
 - (v) When installing fan through an external wall, an external wall grille must be fitted at all times.

1. Hole recommended sizes for wall & ceiling fixing:- LP125 = 140mm, LP150 = 173mm (with or without board fixing clips)
2. Cut a suitable diameter hole in the wall. If the fan is to be fixed onto the ceiling ensure that the hole is between the joists.
3. Hold the body of the fan against the wall or ceiling and mark the four screw holes and the cable entry on the side. (Use the fixing clips to secure the fan in panel walls & ceilings) **(see diagram X1A)**
IMPORTANT: Ensure that the fan is square on wall or ceiling.
4. Bring power cable into position, as marked. Allow an extra 230mm (9") protruding to facilitate connection.
5. **Wiring of Standard Model. (see Diagram X1)**

Remove the internal cover by removing the two small caps and retaining phillips screws to access the terminal connections.

The fan can be connected to the light switch so that the fan will start when the light is switched on. The fan should not be accessible to a person using either the shower or the bath.

NOTE: All wiring must be fixed securely and the cable to the fan should be a minimum of 1mm² in section. All wiring must comply with current Regulations. This system should be installed by a qualified electrician.



*Manrose Manufacturing Ltd reserve the right to change specification without prior warning



SECURIMAX LIMITED

PO Box 14 347 Panmure, Auckland, NZ.

Technical Support Telephone (09) 259 1662 Facsimile: (09) 259 1661

Email: sales@securimax.co.nz Website: www.securimax.co.nz

**DIAGRAM X1
STANDARD MODEL**

(TOP VIEW)

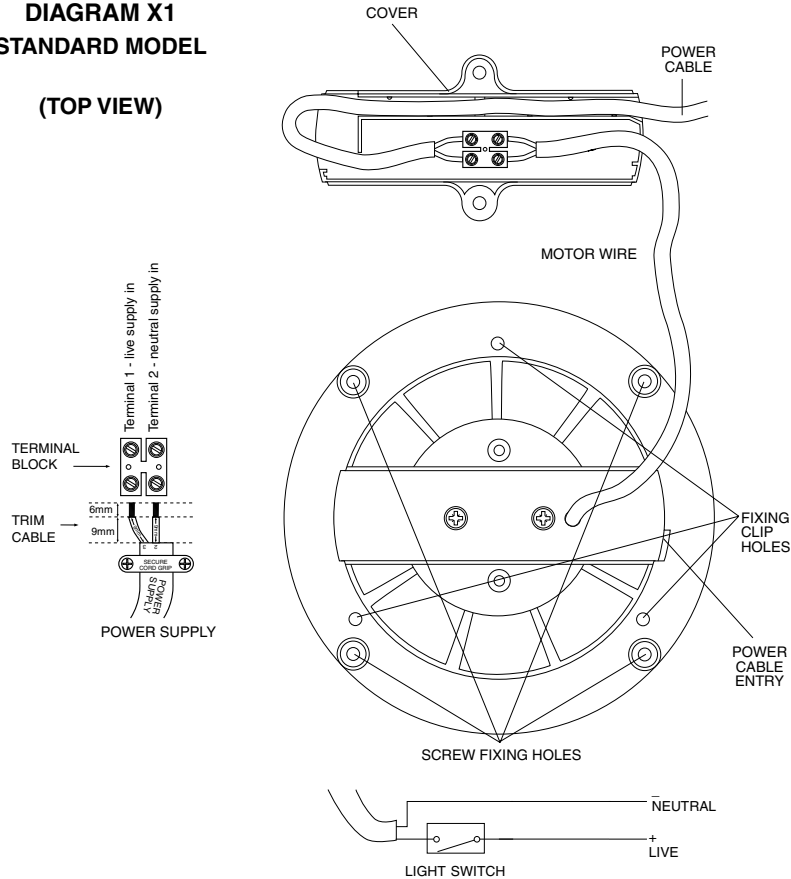
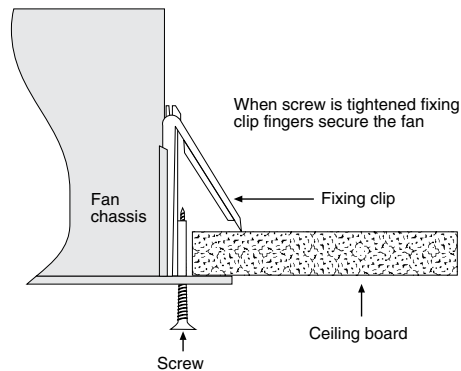


DIAGRAM X1A

(SIDE VIEW)




6. **Wiring of Timer Model. (see Diagram X2)**

Remove the internal cover by removing the two small caps and retaining philips screws to access the terminal connections.

The fan can be connected to the light switch so that the fan will start when the light is switched on. The fan should not be accessible to a person using either the shower or the bath.



NOTE: All wiring must be fixed securely and the cable to the fan should be a minimum of 1mm² in section. All wiring must comply with current Regulations. This system should be installed by a qualified electrician.

Timer Adjustment

The Timer fan will run approximately one minute after it has been switched off. This time delay can be increased by firstly switching off the power to the fan. Remove the cover and the timer cover as detailed in diagram X2A. Insert a small screwdriver into the slot, marked  in **Diagram X2A**, and turn clockwise to reduce the time and anti-clockwise to increase the time. **Only adjust with power switched off.**

The minimum time the timer will run for is 20 seconds and the maximum is about 20 minutes. **NB Timer delay is adjustable as indicated on the timer strip cover.**

Specifications: LP125

Electrical: 220-240V ~50Hz  

Fan Wattage: 25W

Max Temp: 40°C



Airflow: 36l/s (130m³/hr)

Max Pressure: 35 Pa

Sound Volume: 41 dB(A)

IP Rated: IP44

Specifications: LP150

Electrical: 220-240V ~50Hz  

Fan Wattage: 25W

Max Temp: 40°C

Airflow: 87l/s (313m³/hr)

Max Pressure: 50 Pa

Sound Volume: 40 dB(A)

IP Rated: IP44

IMPORTANT

- Isolate the mains supply before making any electrical connections. This system should be installed by a qualified electrician.
- When fitting through an external wall, an external grille must be fitted at all times.
- Fan should only be installed by fixed wiring, a flexible cord should not be used.
- The appliance is not intended for use by young children or infirm persons without supervision.
- Young children should be supervised to ensure that they do not play with the appliance.
- Precautions must be taken to avoid the back-flow of gases into the room from the open flue of gas or other open-fire appliances when mounted in outside windows or walls.