

# LEDsmart<sup>+</sup>™



## SINGLE & MULTI-WAY DIMMING WITHOUT EXTRA WIRES OR CONTROLS





LEDsmart<sup>+</sup>

The simple solution  
to multi-way control

Diginet LEDsmart<sup>+</sup> is an unique dimmer with integrated switch and timer. It is powered by MultiMate™ technology that allows multiple dimmers to be connected in parallel.

Diginet LEDsmart<sup>+</sup> delivers a simple solution for single and multi-way control with:

- INTEGRATED switch and timer
- NO additional wiring
- NO expensive control systems needed

Although optimised for LED lighting loads, LEDsmart<sup>+</sup> also provides excellent compatibility with other common lamps types such as incandescent lamps, 12V halogen lamps and dimmable CFLs.

This technical guide will show you how easy and simple it is to install LEDsmart<sup>+</sup> products powered by MultiMate™ technology.

# MultiMate™ Technology — making the impossible possible

Diginet LEDsmart<sup>+</sup> with integrated switch and timer is powered by MultiMate™, a revolutionary new technology developed by Diginet Control Systems — part of the Gerard Lighting group that allows multi-way control of lighting without the need for an expensive control system.



## MULTI-WAY DIMMING AND SWITCHING WITH NO ADDITIONAL WIRING

MultiMate™ technology enables multiple LEDsmart<sup>+</sup> two-wire devices to be wired in parallel to the same lighting load, to provide two-way, three-way or multi-way dimming and switching. When connected in parallel LEDsmart<sup>+</sup> dimmers allow dimming (and switching) of connected lighting loads from multiple locations without any additional wiring. No dedicated remote switch wiring or 'control bus' is required.

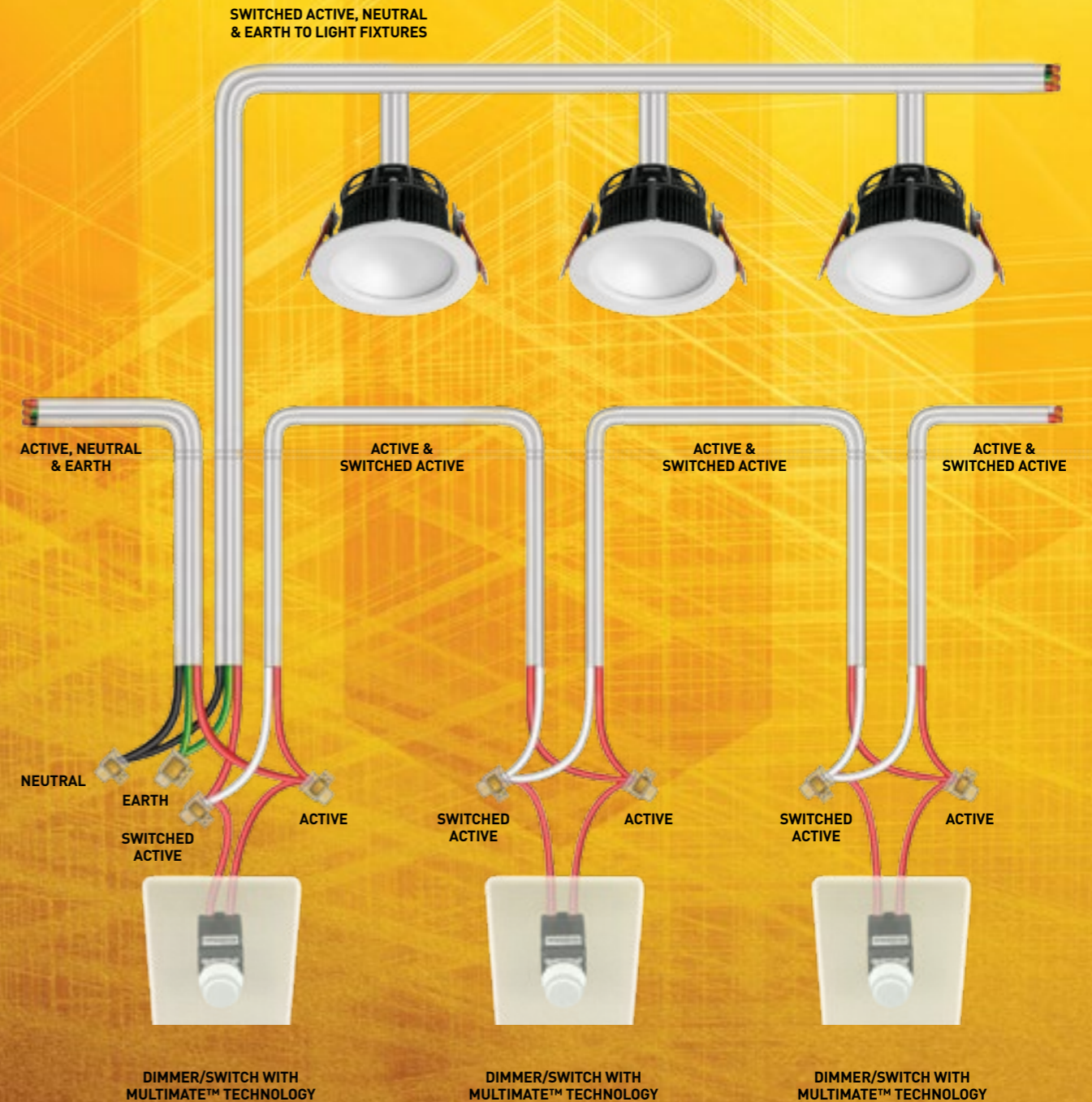
## PERFECT FOR NEW INSTALLATIONS OR RETROFITS

With the ability to leverage existing wiring, dimmers and switches powered by MultiMate™ technology are suitable for new installations and retrofits.

MultiMate™ is a patented technology, developed by Diginet Control Systems — part of the Gerard Lighting group.

## TYPICAL WIRING FOR MULTI-WAY CONTROL USING PRODUCTS WITH MULTIMATE™ TECHNOLOGY

With MultiMate™ technology, multiple two-wire devices are simply wired in parallel, to provide two-way, three-way or multi-way dimming and switching.



## DIGITAL ROTARY DIMMER/SWITCH

### WITH BUILT IN ON/OFF SWITCH & MULTI-WAY CONTROL

- Digital rotary dial for smooth and easy dimming
- Built-in tap on/off switch
- Fully programmable functions
- 'Quick flick' dial feature to go to maximum or minimum lighting
- Double tap to dim to minimum or maximum over 30 minutes
- Illuminated halo via white LED indicators
- Large and small rotary knob options
- Interchangeable coloured halo rings (clear/blue/green/orange)



## ADAPTOR KIT FOR LEDsmart+™ ROTARY DIMMERS/SWITCHES

With this handy kit LEDsmart+™ Rotary Dimmer can be quickly and easily adapted to fit PDL, HPM and Clipsal wall plates.

- A LEDsmart+™ Rotary Dimmer Module
- B Small Knob
- C Large Knob
- D Light Ring: Small (Blue, Green, Orange)
- E Light Ring: Large (Blue, Green, Orange)
- F Adaptor (Clear)
- G Adaptor Cover (Clear)
- H Adaptor Cover (White)
- I Terminal Block

# Options for easy customisation

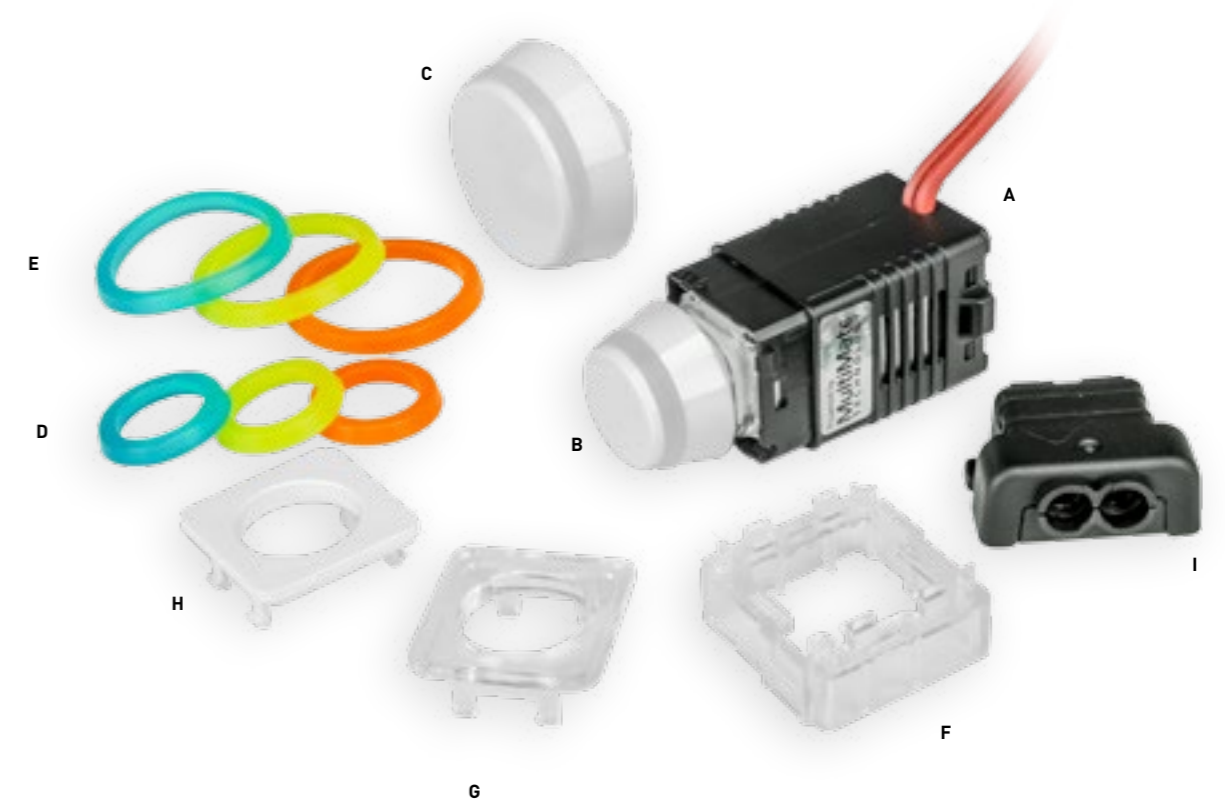
### LARGE & SMALL KNOBS

Customers can choose from large or small dimmer knobs to suite their aesthetic and deliver single or multi-dimmer control from one wall plate.



### INTERCHANGEABLE COLOURED RINGS

Different coloured silicon rings allow the installer to customise the Rotary Dimmer's indicator ring to suit the customer's environment.



# Traditional lighting control set-up versus LEDsmart+™



## Before

To dim the lighting, the homeowner has to get out of bed and use the dimmer by the entrance. From bed, all they can do is switch the lights on or off.



## After

Now with Diginet LEDsmart+™ the homeowner can dim as well as switch lights from any wall plate location. And with no additional wiring or control systems, the installation is now a whole lot easier.

# Product functions & specifications



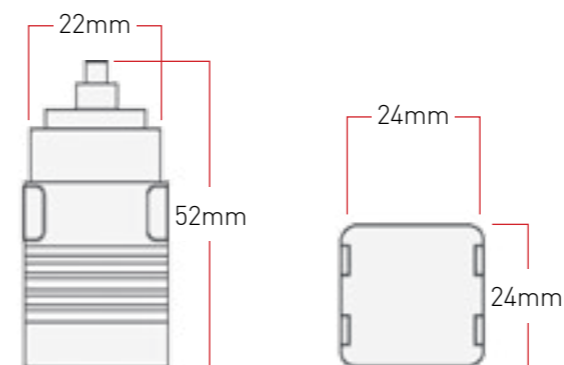
ROTARY DIMMER/SWITCH	
<b>FUNCTIONS</b>	
Product code	MMDM/RT-KIT
Function	DIMMER/SWITCH
Single-way control	✓
Two-way control	✓
Multi-way control	✓
Indicator – white LED	✓
Rotary dial	✓
Integrated tap on/off switch	✓
Programmable minimum	✓
Programmable maximum	✓
Programmable kick-start function	✓
Programmable off-state indicator	✓
Kids bedroom mode – double-tap to dim down over 30 minutes	✓
Wake up mode – double tap to dim up over 30 minutes	✓
<b>SPECIFICATIONS</b>	
Electrical connections	two-wire (ACTIVE & LOAD, NO NEUTRAL REQUIRED)
Nominal line voltage	220–240V AC
Line voltage frequency	50HZ NOMINAL (47–53HZ)
Load brightness range	0%–100% (TYPICAL FOR LED LOADS)
Minimum load	1W
Maximum load	400W
Mounting	PDL, HPM and Clipsal switch plates

## COMPATIBLE LOAD TYPES

LOAD SYMBOL	LOAD TYPE	MAXIMUM LOAD	NOTES
	LED Lamps and Drivers	400W	Maximum permitted number of drivers is 400W divided by driver name plate power rating. Due to variety of LED lamp designs, maximum number of LED lamps is further dependent on power – factor result when connected to switch.
	Electronic Transformers	400W	
	Standard Iron-Core Transformers	250W	Due to variety of transformer designs, maximum LV lighting load is also dependent on transformer efficiency.
	Toroidal Iron-Core Transformers	300W	
	Incandescent	350W	
	CFLs	400W	Due to variety of CFL designs, maximum number is make/model dependant.

## DIMENSIONS

Fits most New Zealand wall switch plate apertures

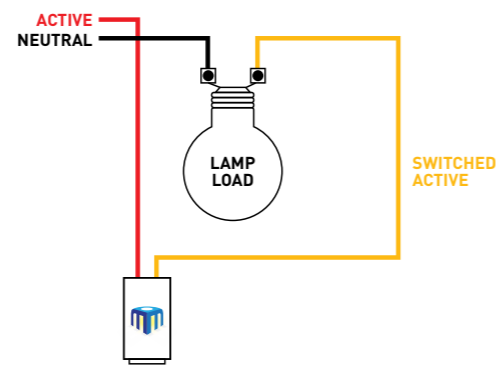


# Wiring for one-way or two-way dimming & switching

Unlike conventional two-wire dimmers, Diginet LEDsmart<sup>+</sup> dimmers feature a built in push on/push off switch. To provide both dimming and on/off control. No separate switch is required.

## NEW INSTALLATION OF ONE-WAY DIMMING & SWITCHING

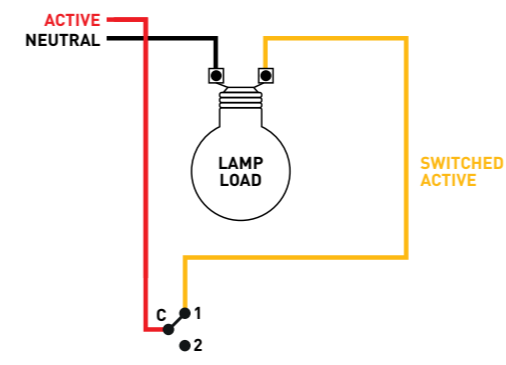
### ONE-WAY DIMMING & SWITCHING



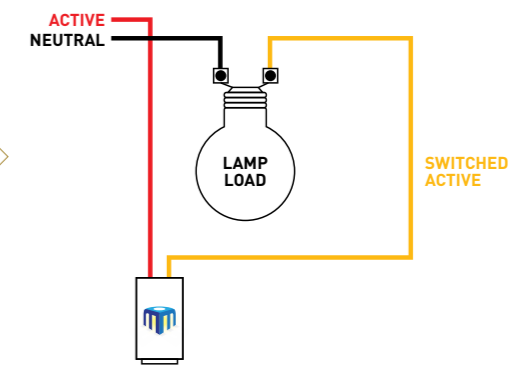
Dimmers without built in switch powered by MultiMate™ technology connect just like standard two-wire dimmers.

## REPLACING EXISTING ONE-WAY SWITCH WITH ONE-WAY DIMMING & SWITCHING

### EXISTING ONE-WAY SWITCH



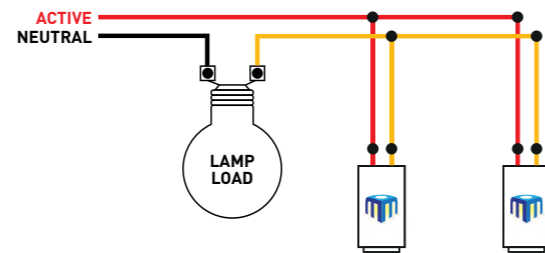
### REPLACEMENT ONE-WAY DIMMING & SWITCHING



The Diginet LEDsmart<sup>+</sup> range features Rotary Dimmer with a built in on/off switch. Both dimming and on/off are accomplished with a single knob, with no separate on/off switch required.

## NEW INSTALLATION OF TWO-WAY DIMMING & SWITCHING

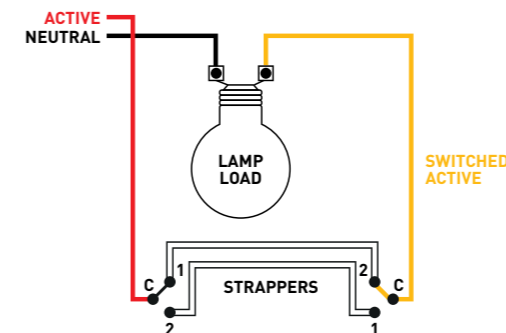
### TWO-WAY DIMMING & SWITCHING



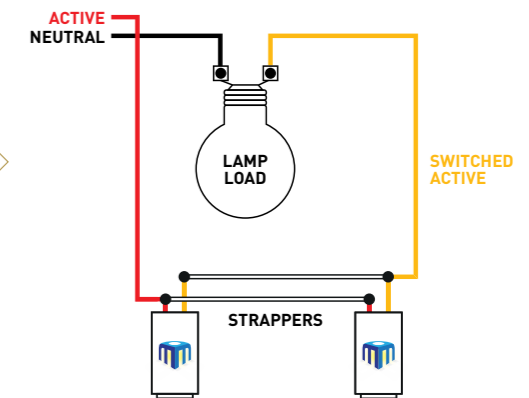
Two-way switching and dimming with Diginet LEDsmart<sup>+</sup> dimmers.

## REPLACING EXISTING TWO-WAY SWITCH WITH TWO-WAY DIMMING & SWITCHING

### EXISTING TWO-WAY SWITCH



### REPLACEMENT TWO-WAY DIMMING & SWITCHING



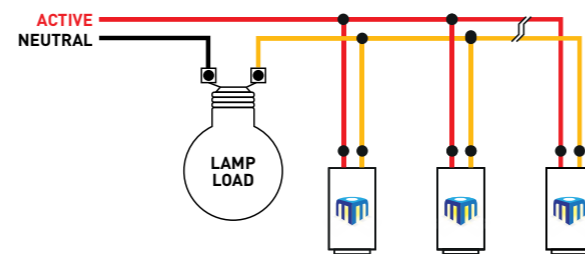
When replacing existing two-way switching with two-way dimming/switching using Diginet LEDsmart<sup>+</sup> dimmers, the existing two-way 'strapper' wires can be used. No new wiring is required.

# Wiring for multi-way (three-way or more) dimming & switching

To achieve multi-way dimming and switching using Diginet LEDsmart+ dimmers, the required number of dimmers can be connected in parallel to the same load. So if more than three dimmers are required, they are simply wired in parallel.

## NEW INSTALLATION OF MULTI-WAY (THREE-WAY OR MORE) DIMMING & SWITCHING

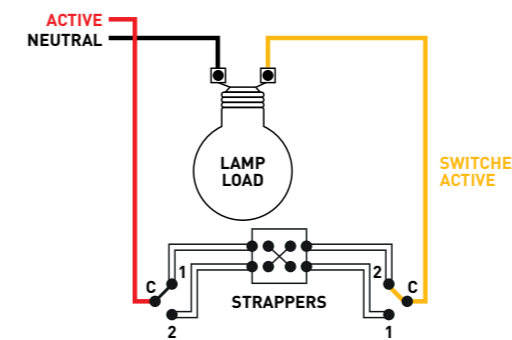
### THREE-WAY DIMMING & SWITCHING



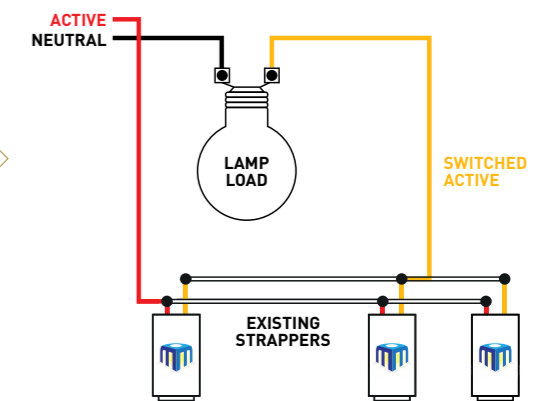
Required wiring for three-way dimming and switching using Diginet LEDsmart+ dimmers. If more than three dimmers are required, further dimmers are simply wired in parallel.

## REPLACING EXISTING MULTI-WAY SWITCH WITH MULTI-WAY (THREE-WAY OR MORE) DIMMING & SWITCHING

### EXISTING THREE-WAY SWITCH



### REPLACEMENT THREE-WAY DIMMING & SWITCHING



Traditional three-way switching using two rocker switches and one intermediate switch, with strappers between the switches. Rocker switches and intermediate switch are replaced with Diginet LEDsmart+ dimmers. The existing strappers are used to connect the dimmers in parallel. No new wiring is required.





# GERARD

L I G H T I N G

