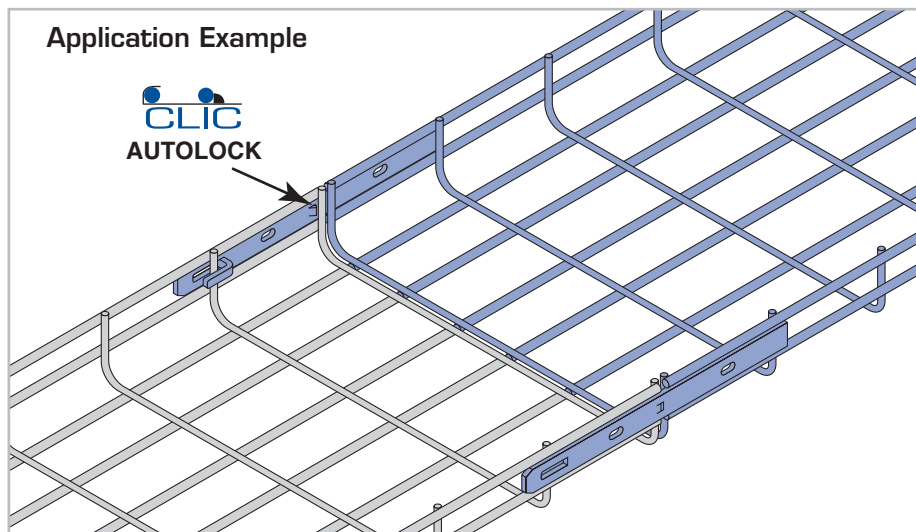
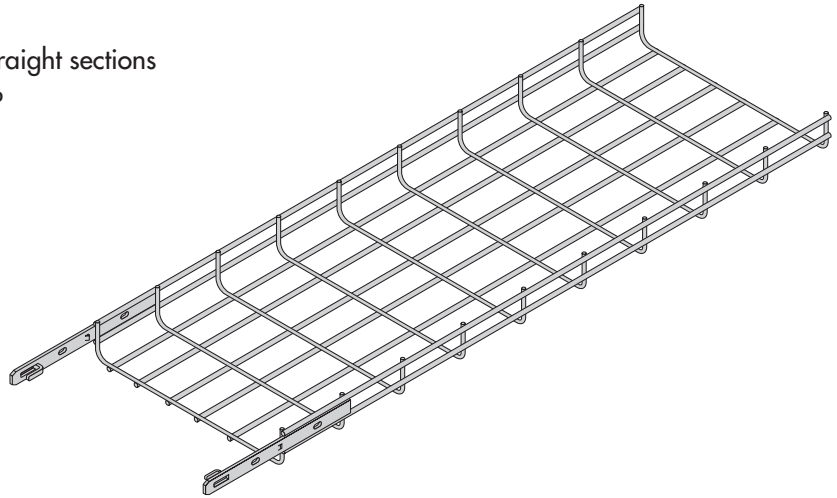


# ACROFIL® SYSTEM

## DOUBLE ROD REINFORCED TRAY (50mm DEPTH)

### Double Rod Reinforced Tray (50mm Depth) [AF50-(W)]

- Double rod reinforced tray has a 50mm cable laying depth
- Standard length of tray is 3m
- Standard finish is zinc plated
- No hardware is necessary to connect straight sections
- For continuous grounding use AF-GCLIP  
(See page 30.)



Part Description	Width Nominal (mm)	Depth (mm)	Wt. (kg) (piece)	Loading (kg/m)		
				1.5m Span	2.0m Span	2.5m Span
AF50-50	50	50	1.9	25.1	17.8	13.1
AF50-100	100	50	2.6	34.2	23.3	17.2
AF50-150	150	50	3.6	56.3	36.6	27.8
AF50-200	200	50	4.2	58.7	39.2	29.8
AF50-300	300	50	5.5	64.0	39.3	29.0
AF50-400	400	50	8.1	89.4	49.4	36.5
AF50-450	450	50	8.8	97.5	53.9	39.8
AF50-500	500	50	9.5	105.4	63.0	46.5
AF50-600	600	50	10.8	114.9	68.7	50.7

Load Values are determined by IEC61537 testing. Copies of load tests available upon request.  
Safety Factor 1.7