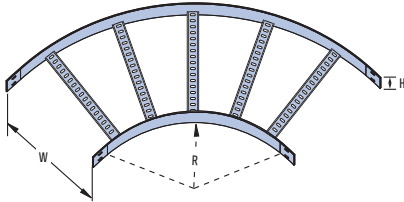
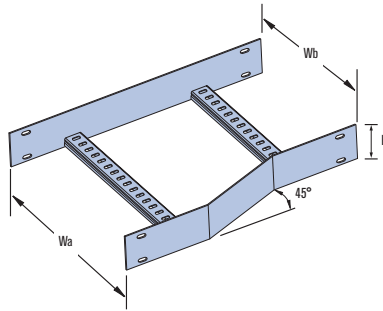


# UNISTRUT® NEMA CABLE LADDER ACCESSORIES

## HORIZONTAL BEND

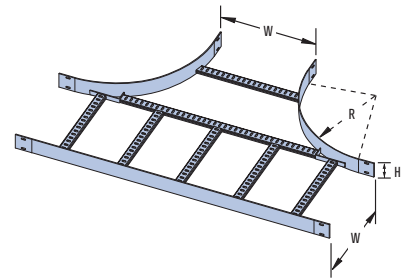


## REDUCERS

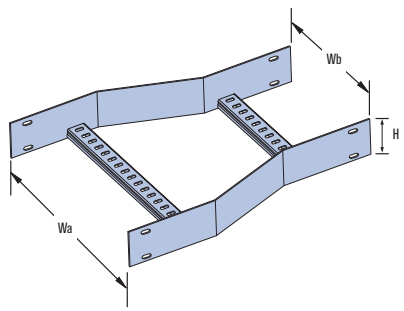


Note: Left or Right Hand (L/H shown)

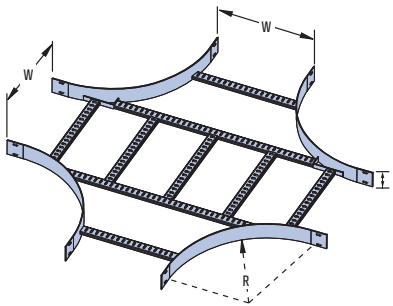
## HORIZONTAL TEES



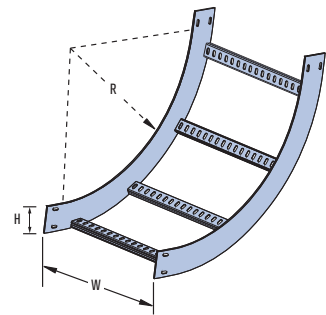
## CONCENTRIC REDUCER



## HORIZONTAL CROSSES

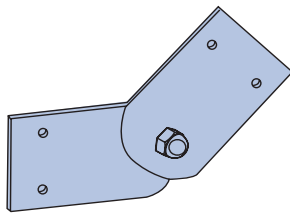


## VERTICAL RISER/DROPPER

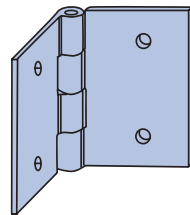


## LADDER VERTICAL HINGE

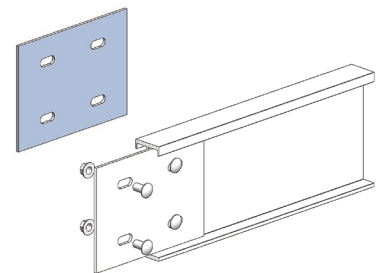
Note: Supplied in pairs



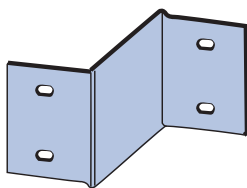
## HORIZONTAL HINGE



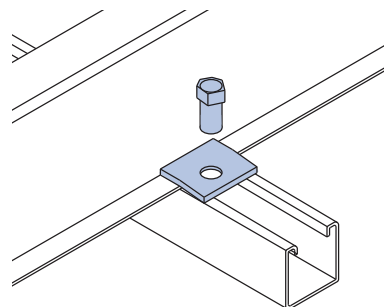
## LADDER SPLICE PLATE



## REDUCING SPLICE PLATE



## LADDER SQ WASHER HOLD DOWN BRACKET



## LADDER Z HOLD DOWN BRACKET

