

MATERIAL

Unless otherwise noted, all fittings are punch press formed from plate or strip steel.

FITTING APPLICATION

All product drawings illustrate only one application of each fitting. In most cases many other applications are possible.

The members shown in the illustrations are P1000®, 41mm square, except where noted otherwise. All 14mm diameter holes use M12 x 24 hex head set screws and M12 nuts - P1010, P4010 or P5510 - depending on the channel used. Nuts and bolts are not included with the fitting and must be ordered separately.

DESIGN LOAD DATA

Loadings are as shown based on calculations in accordance with AS/NZS 4600 and AS 4100.

DESIGN BOLT TORQUE

Refer to Engineering Data (See Page 47).

FINISHES

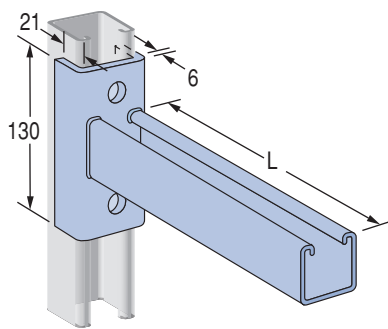
All fittings in this section are Heavy Duty Galvanised to AS/NZS4680 unless otherwise shown.

STANDARD DIMENSIONS

The following dimensions apply to all fittings except as noted on the individual part drawings:

- Hole Size - 14mm diameter
- Hole Spacing - 21mm from end
- Hole Spacing - 48mm on centre
- Width - 40mm

P2233 & P2234

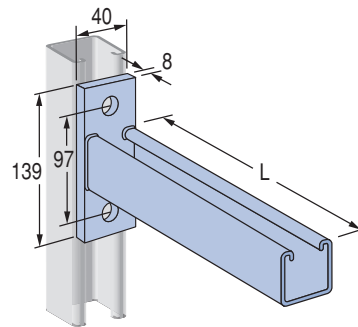


Brackets can be used inverted

Part No.	L	Design Uniform Load - kN	Mass kg/100
P2233	457	3.14	189
P2234	610	1.97	232

Note: Non stock item made to order

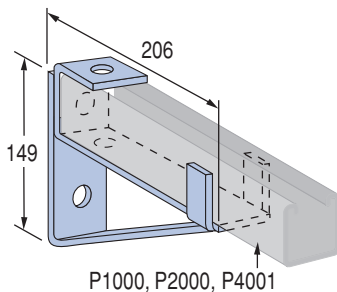
P2663 - 250 TO P2663 - 700



Brackets can be used inverted

Part No.	L	Design Uniform Load - kN	Mass kg/100
P2663-250	250	3.01	102
P2663-400	400	1.88	143
P2663-450	450	1.51	153
P2663-550	550	1.36	186
P2663-700	700	1.06	229

P1075 TO P1078

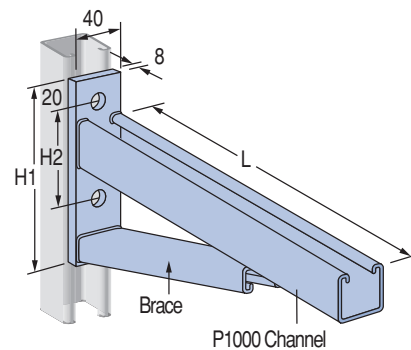


P1000, P2000, P4001

Part No.	Design Moment kN*	Mass kg/100
P1075-8	0.58	130

* Applies only to fittings and not to strength of Unistrut® arm. Designed for use with "Unistrut®" nuts, do not use through bolts.

PCL150 TO PCL900

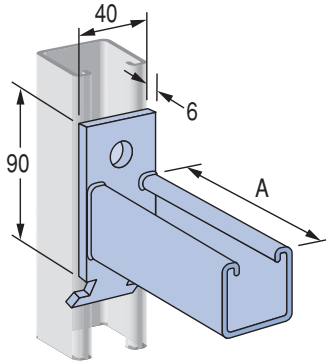


P1000 Channel

Part No.	L	H1	H2	Design Uniform Load kN	Mass kg/100
PCL150	320	165	86	4.47	170
PCL300	470	165	86	3.17	230
PCL450	635	215	112	3.33	340
PCL600	780	215	112	2.80	380
PCL750	930	280	160	1.24	470
PCL900	1080	280	160	1.08	510

UNISTRUT® CANTILEVER BRACKETS

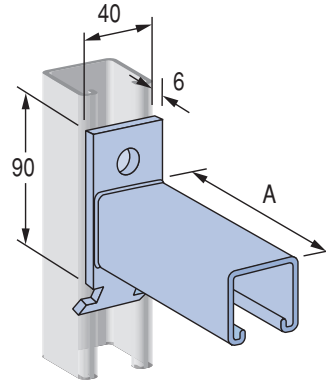
P2513 TO P2516



Part No.	A	Design Uniform - Load kN	Mass kg/100
P2513	250	1.77	91
P2514	400	1.10	128
P2515	550	0.80	177
P2516	700	0.62	216

Note: Non stock item made to order

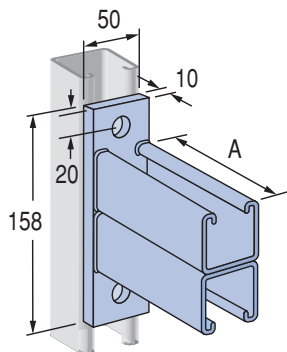
P2513A TO P2516A



Part No.	A	Design Uniform - Load kN	Mass kg/100
P2513A	250	1.77	91
P2514A	400	1.10	128
P2515A	550	0.80	177
P2516A	700	0.62	216

Note: Non stock item made to order

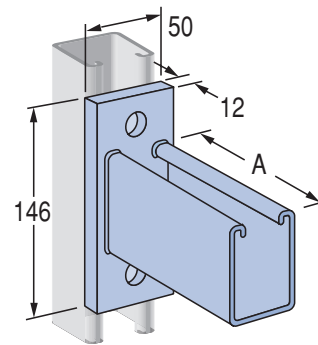
P2542 TO P2546



Part No.	A	Design Uniform - Load kN	Mass kg/100
P2542	305	7.57	228
P2543	460	5.22	314
P2544	610	3.98	400
P2545	760	3.21	487
P2546	915	2.67	574

Note: Non stock item made to order

P5663 - 300 TO P5663 - 750



Part No.	A	Design Uniform - Load kN	Mass kg/100
P5663-300	300	6.93	173
P5663-450	450	4.78	224
P5663-600	600	3.62	276
P5663-750	750	2.91	327

Note: Non stock item made to order