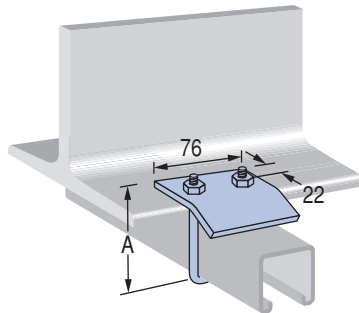


UNISTRUT® BEAM CLAMPS

P2785 & P2786



P2785 accepts following channels:
P1000®, P2000, P3300, P4000
A = 86 Mass: 38kg/100
For use with beams up to 19mm

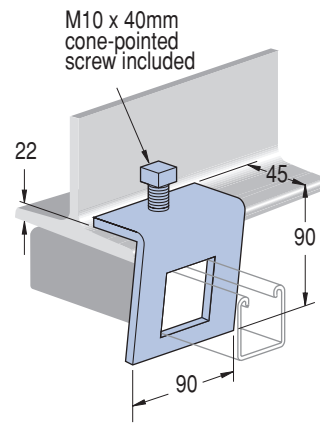
P2786 accepts following channels:
P1001, P2001, P5500
A = 127 Mass: 41kg/100
For use with beams up to 19mm

Design Load each:
4.45kN

Standard Finishes:
H.G

Use in pairs only

P1796



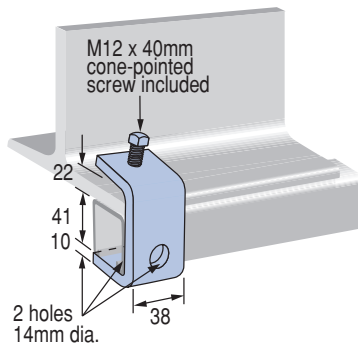
Mass: 49kg/100
Suits P1000® & P2000

Design Load each:
2.22kN

Standard Finishes:
H.G

Use in pairs only

P1271



Mass: 43kg/100

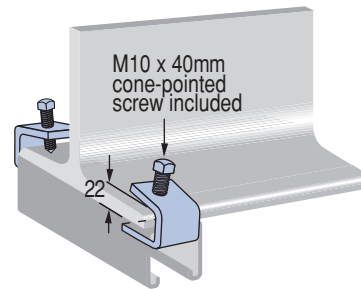
Design Load each:
2.22kN

Standard Finishes:
H.G

Requires P1010 Channel nut & bolt

Use in pairs only

P1272



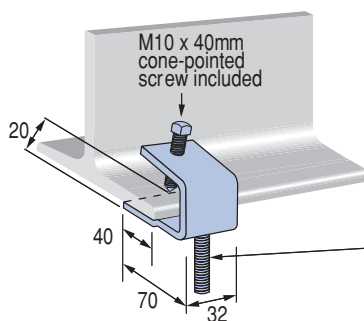
Mass: 18kg/100

Design Load Per Pair:
2.00kN

Standard Finishes:
H.G

Use in pairs only

P1270



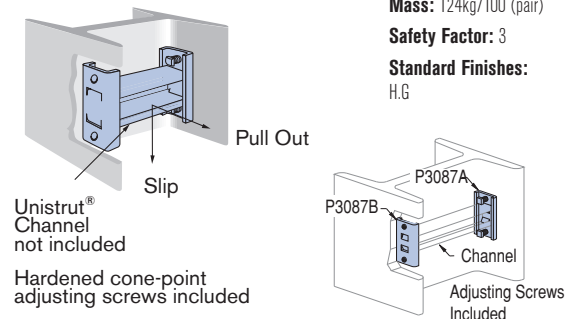
Mass: 29kg/100

Design Load each:
0.38kN

Standard Finishes:
H.G

Tapped hole to accept M10 Unirod, to be secured with M10 nut (not included)

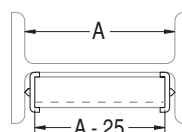
P3087



Mass: 124kg/100 (pair)

Safety Factor: 3

Standard Finishes:
H.G



Channel Type	Design Pullout Load kN	Design Slip Load kN
P1000	4.45	3.56
P2000	2.22	1.33