



Matchmaster

TV Reception Systems

For the Best

præink™

Linking lifestyles & technology

PROUDLY supporting New Zealand's A/V industry for over 20 years

IRSENDKIT3

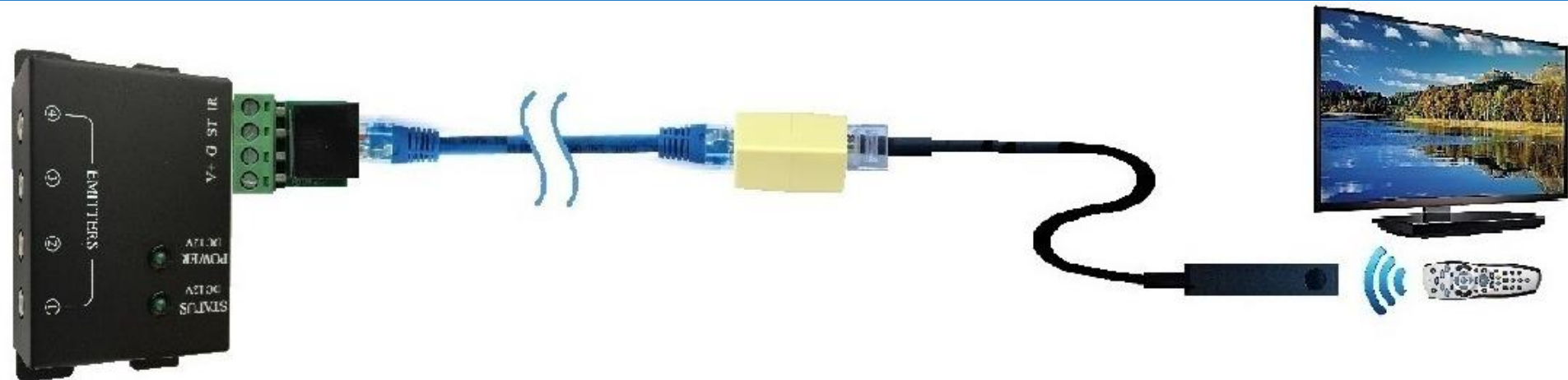
The IRSENDKIT3 is our full IR kit, consisting of a connecting block, double emitter, and an IR receiver. Also included is an RJ45 adaptor for Plug and Play capability.



IRSENDKIT3

IR Cont.

If the TV is more than 2 metres from the connecting block we now include an RJ45 joiner to eliminate the need to reterminate the IR receiver into a Cat5/6



IR Cont.

Additional IR receivers are available (IRSEND68) and we have the IRSEND54 (Quad IR Extender CAT5 EZI Install Socket) available to expand the main connecting block as you add more TV's....



IR Cont.

There are 2 additional styles of IR Receiver to choose from.

IRSEND64 (Wall plate)

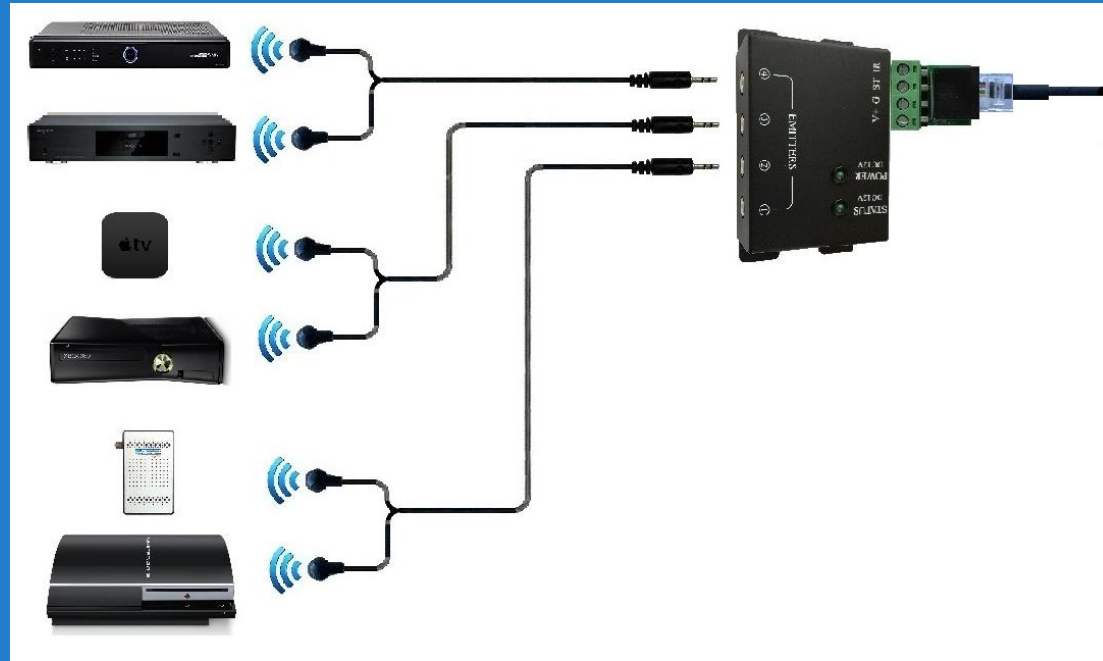


IRSEND69 (Threaded Cylinder)



IR Cont.

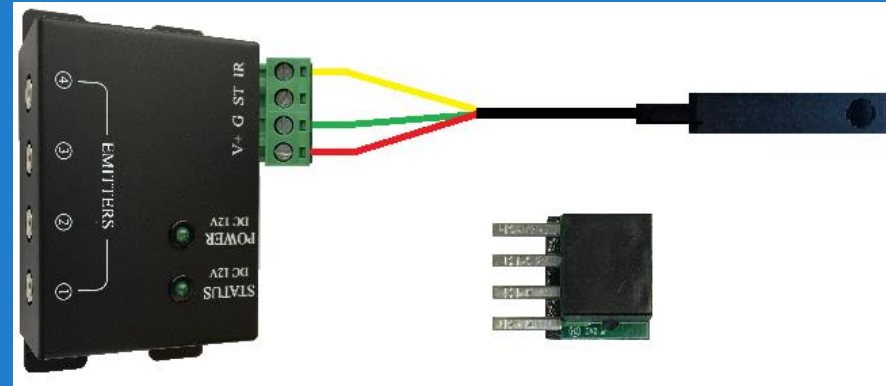
Add more IRSEND75 (double emitter cables) as your equipment grows.



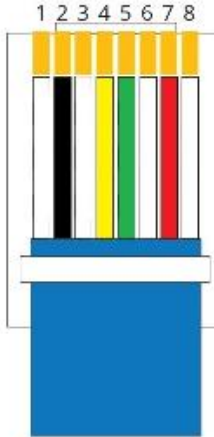
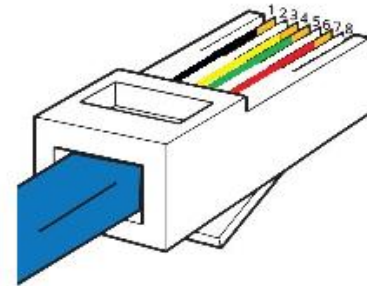
IR Cont.

The system can be wired the old fashioned way... just undo the 4 retaining screws to release the RJ45 socket.

Full instructions accompany the kit, including how to re-terminate back into an RJ45 and an experience lead trouble shooting guide.



RJ45 Pinout



- | | |
|-----------|----------|
| 1. Empty | 5. Green |
| 2. Black | 6. Empty |
| 3. Empty | 7. Red |
| 4. Yellow | 8. Empty |

If you run into issues onsite, give Matchmaster a call for advice and trouble shooting.



Copyright Northland PCS